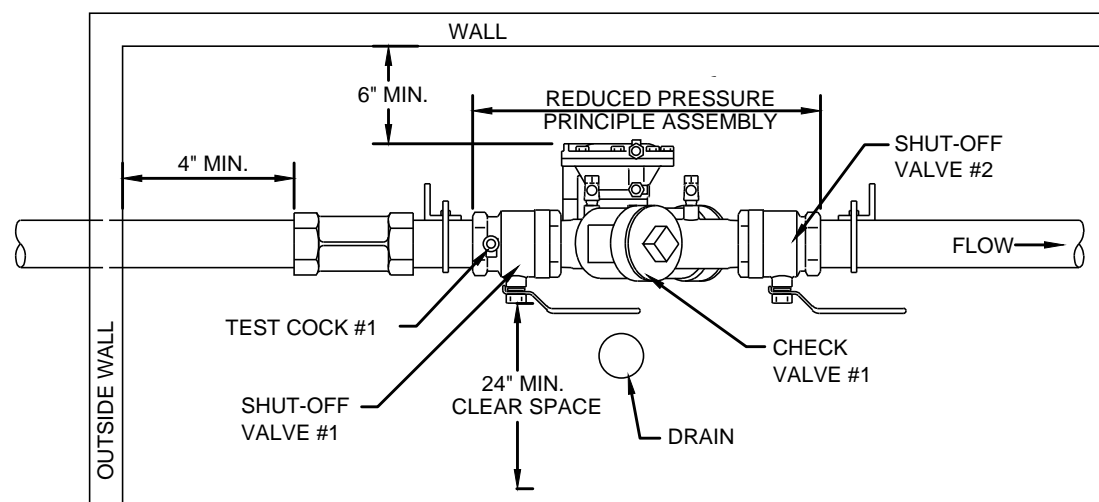


ELEVATION VIEW



PLAN VIEW

NOTES:

1. INDOOR INSTALLATION SHALL ONLY BE PERMITTED IN CASES WHERE ADEQUATE SPACE FOR THE BACKFLOW ASSEMBLY IS NOT AVAILABLE OUTSIDE. THE TOWN OF FRANKLIN WILL REVIEW ON A CASE BY CASE BASIC.
2. BACKFLOW PREVENTION ASSEMBLIES (BPA's) SHALL CONFORM TO THE TOWN OF FRANKLIN SPECIFICATIONS. SHUT-OFF VALVES ARE SPECIFIC TO EACH APPROVED BPA AND NO SUBSTITUTIONS OF SHUT-OFF VALVES ARE PERMITTED.
3. ASSEMBLIES SHALL BE INSTALLED UPRIGHT AND IN THE HORIZONTAL POSITION.
4. PIPE MATERIAL AND FITTINGS SHALL BE AS SPECIFIED IN THE TOWN OF FRANKLIN SPECIFICATIONS, UNLESS OTHERWISE APPROVED.
5. SUPPORT FOR ASSEMBLY SHALL BE DESIGNED BY OWNER AS REQUIRED.
6. AN AIR GAP DRAIN IS RECOMMENDED TO REDUCE SPLASHING OF MINOR DISCHARGES FROM THE RELIEF VALVE DRAIN PORT.
7. INDOOR INSTALLATION OF RP'S SHOULD PROVIDE FOR DRAINAGE CAPABLE OF HANDLING IN EXCESS OF THE MAXIMUM DISCHARGE RATE EXPECTED BY THE BACKFLOW ASSEMBLY MANUFACTURER.
8. ALL LOCATIONS FOR BPA's REQUIRE THE TOWNS APPROVAL.
9. THERE SHALL BE NO TAPS, PIPING BRANCHES, UNAPPROVED BYPASS PIPING, HYDRANTS, FIRE DEPT. CONNECTION POINTS, OR OTHER WATER-USING APPURATENANCES CONNECTED TO THE SUPPLY LINE BETWEEN ANY WATER METER AND THE REQUIRED BACKFLOW.
10. EACH REQUIRED BACKFLOW IS TO BE TESTED BY A CERTIFIED TESTER PRIOR TO PLACING THE WATER SYSTEM IN SERVICE. TEST RESULTS SHALL BE SUBMITTED TO THE CROSS-CONNECTION DEPARTMENT WITHIN 30 DAYS AND TESTED ANNUALLY THEREAFTER SUBMITTING RESULTS TO THE CROSS-CONNECTION DEPARTMENT.
11. ALL INSTALLATIONS OF A BPA, REQUIRE PRIOR APROVAL FROM THE TOWN OF FRANKLIN CROSS-CONNECTION ORC.

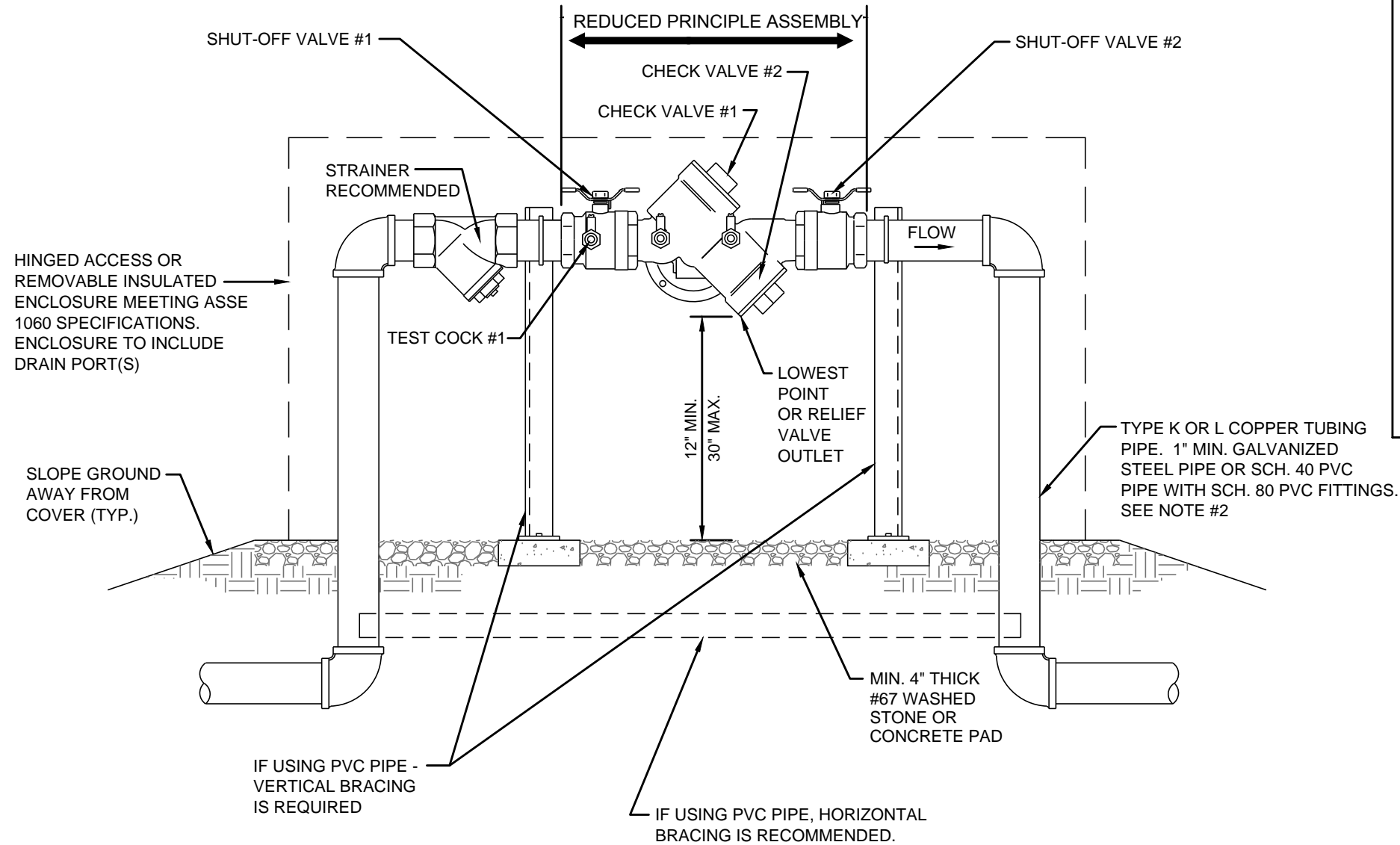
NO SCALE

REDUCED PRESSURE PRINCIPLE ASSEMBLY (RP) INDOOR

TOWN OF FRANKLIN
STANDARD DETAILS
BACKFLOW PREVENTION



VERSION DATE
1-3-2022



NOTES:

1. BACKFLOW PREVENTION ASSEMBLIES (BPA's) SHALL CONFORM TO THE TOWN OF FRANKLIN SPECIFICATIONS. SHUT-OFF VALVES ARE SPECIFIC TO EACH APPROVED BPA AND NO SUBSTITUTIONS OF SHUT-OFF VALVES ARE PERMITTED.
2. PIPE MATERIAL AND FITTINGS SHALL BE AS SPECIFIED IN THE TOWN OF FRANKLIN SPECIFICATIONS.
3. INSULATED ENCLOSURES ARE REQUIRED BY THE TOWN OF FRANKLIN. HEATED INSULATED ENCLOSURE IS RECOMMENDED. NO INSULATION SHALL BE WRAPPED AROUND BPA.
4. ALL LOCATIONS FOR BPA'S REQUIRE THE TOWNS APPROVAL.
5. THERE SHALL BE NO TAPS, PIPING BRANCH, UNAPPROVED BYPASS PIPING, HYDRANTS, FIRE DEPT. CONNECTION POINTS, OR OTHER WATER -USING APPURTENANCES CONNECTED TO THE SUPPLY LINE BETWEEN ANY WATER METER AND THE REQUIRED BACKFLOW.
6. EACH REQUIRED BACKFLOW IS TO BE TESTED BY A CERTIFIED TESTER PRIOR TO PLACING THE WATER SYSTEM IN SERVICE. TEST RESULTS SHALL BE SUBMITTED TO THE CROSS-CONNECTION DEPARTMENT WITHIN 30 DAYS AND TESTED ANNUALLY THEREAFTER SUBMITTING RESULTS TO THE CROSS-CONNECTION DEPARTMENT.
7. ALL INSTALLATIONS OF A BPA, REQUIRES PRIOR APPROVAL FROM THE TOWN OF FRANKLIN CROSS-CONNECTION ORC.

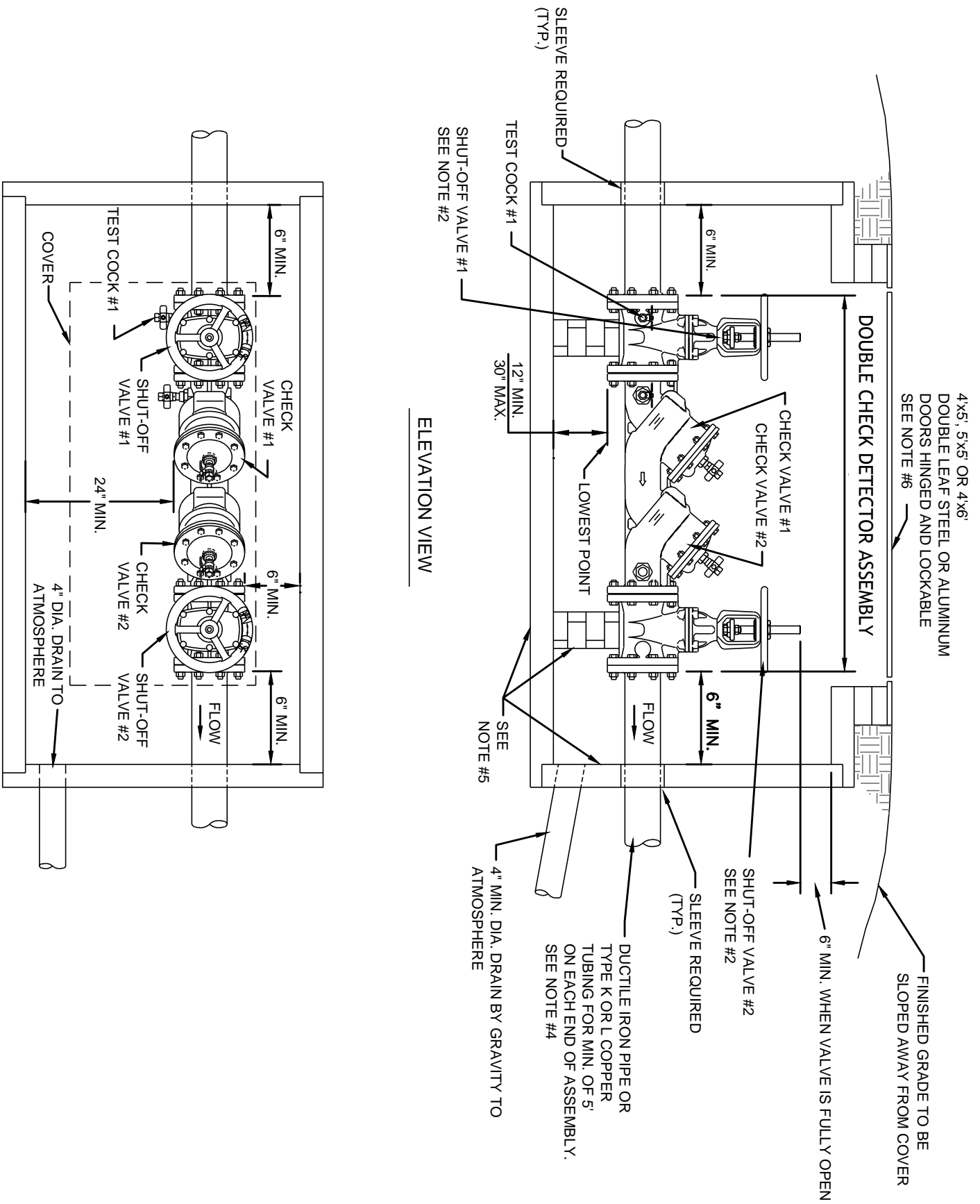
NO SCALE

REDUCED PRESSURE PRINCIPLE ASSEMBLY (RP) ABOVE GROUND

TOWN OF FRANKLIN
STANDARD DETAILS
BACKFLOW PREVENTION



1-3-2022



PLAN VIEW

- NOTES:
1. BACKFLOW PREVENTION ASSEMBLIES (BPAs). SHALL CONFORM TO THE TOWN OF FRANKLIN SPECIFICATIONS. SHUT-OFF VALVES ARE SPECIFIC TO EACH APPROVED BPA AND NO SUBSTITUTIONS OF SHUT-OFF VALVES ARE PERMITTED.
 2. FIRE LINE SERVICES SHALL HAVE OUTSIDE STEM AND YOKE (OS & Y) HANDWHEEL OPERATORS OR BUTTERFLY VALVES, AND LISTED ON APPROVED LIST AS FIRE APPROVED. IF SERVING FIRE SPRINKLERS, TAMPER SWITCHES ARE REQUIRED.
 3. ASSEMBLIES SHALL BE INSTALLED UPRIGHT AND IN THE HORIZONTAL POSITION.
 4. PIPE MATERIAL AND FITTINGS SHALL BE AS SPECIFIED BY THE TOWN OF FRANKLIN.
 5. VAULT AND SUPPORT OF ASSEMBLY SHALL BE DESIGNED BY OWNER, 8" - 12" SHALL BE SUPPORTED AT EACH VALVE.
 6. ACCESS DOORS SHALL BE AS SPECIFIED BY THE TOWN OF FRANKLIN
 7. DRAINAGE INLET MAY BE PROVIDED AS SHOWN OR AS FLOOR DRAIN.
 8. ALL LOCATIONS FOR BPAs REQUIRE THE TOWNS APPROVAL.
 9. THERE SHALL BE NO TAPS, PIPING BRANCHES, UNAPPROVED BYPASS PIPING, HYDRANTS, FIRE DEPT. CONNECTION POINTS, OR OTHER WATER-USING APPURTENANCES CONNECTED TO THE SUPPLY LINE BETWEEN ANY WATER METER AND THE REQUIRED BACKFLOW.
 10. EACH REQUIRED BACKFLOW IS TO BE TESTED BY A CERTIFIED TESTER PRIOR TO PLACING THE WATER SYSTEM IN SERVICE. TEST RESULTS SHALL BE SUBMITTED TO THE CROSS-CONNECTION DEPARTMENT WITHIN 30 DAYS AND TESTED ANNUALLY THEREAFTER SUBMITTING RESULTS TO THE CROSS-CONNECTION DEPARTMENT.
 11. ALL INSTALLATIONS OF A BPA, REQUIRES PRIOR APPROVAL FROM THE TOWN OF FRANKLIN CROSS-CONNECTION ORC.

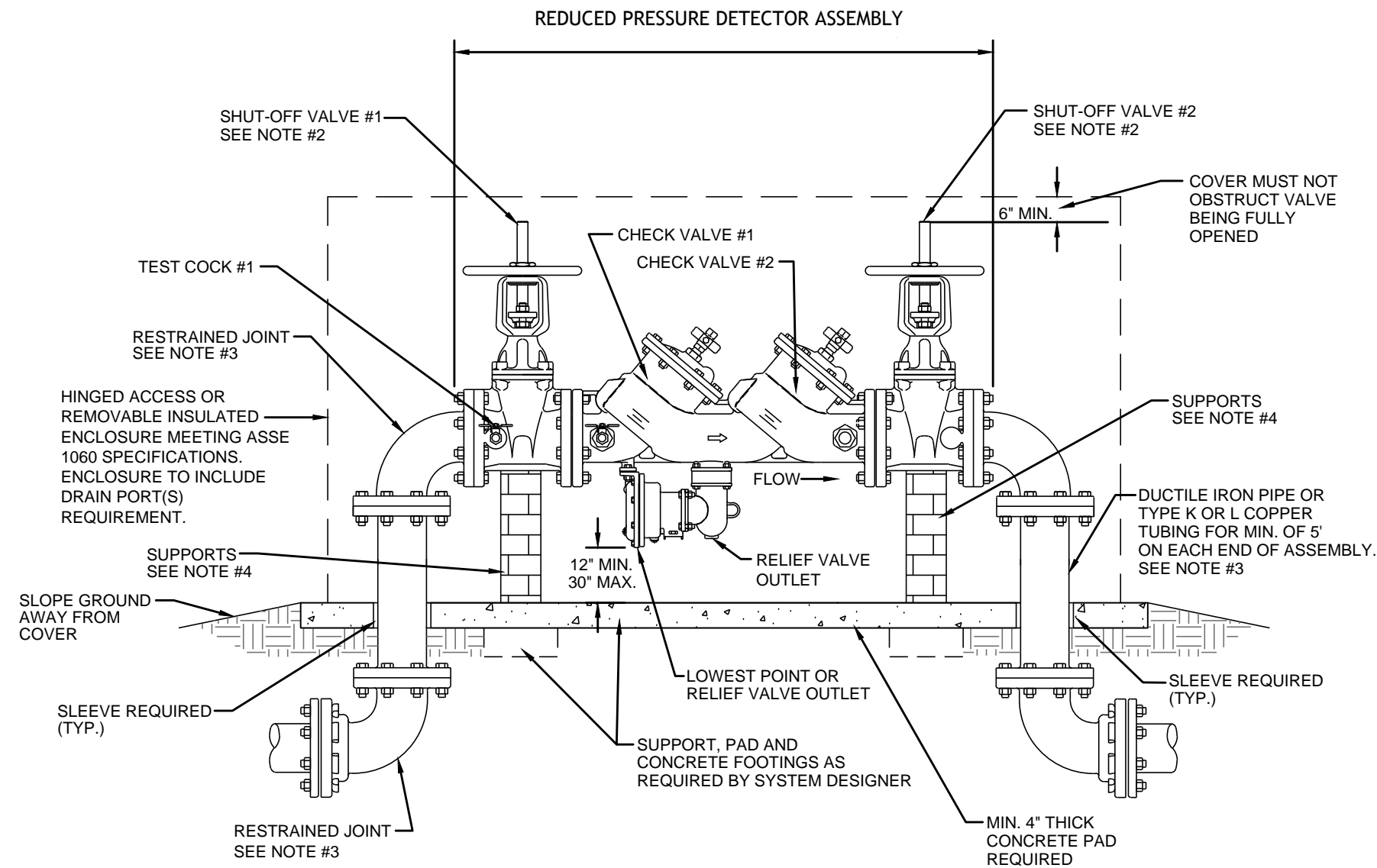
NO SCALE

FIRE LINE DOUBLE CHECK DETECTOR ASSEMBLY - BELOW GROUND VAULT

TOWN OF FRANKLIN
STANDARD DETAILS
BACKFLOW PREVENTION



VERSION DATE
1-3-2022



NOTES:

1. BACKFLOW PREVENTION ASSEMBLIES (BPA's). SHALL CONFORM TO THE TOWN OF FRANKLIN SPECIFICATIONS. SHUT-OFF VALVES ARE SPECIFIC TO EACH APPROVED BPA AND NO SUBSTITUTIONS OF SHUT-OFF VALVES ARE PERMITTED.
2. FIRE LINE SERVICES SHALL HAVE OUTSIDE STEM AND YOKE (OS & Y) HANDWHEEL OPERATORS OR BUTTERFLY VALVES, AND LISTED ON APPROVED LIST AS FIRE APPROVED. IF SERVING FIRE SPRINKLERS, TAMPER SWITCHES ARE REQUIRED.
3. PIPE MATERIAL AND FITTINGS SHALL BE AS SPECIFIED BY THE TOWN OF FRANKLIN. ALL JOINTS SHALL BE RESTRAINED WITH MEGALUG RESTRAINTS OR APPROVED EQUAL.
4. SUPPORT OF ASSEMBLY SHALL BE DESIGNED BY OWNER, 8" - 12" SHALL BE SUPPORTED AT EACH VALVE AND SHALL NOT BLOCK RELIEF VALVE ON DRAIN PORT.
5. INSULATED ENCLOSURES ARE REQUIRED BY THE TOWN OF FRANKLIN. HEATED INSULATED ENCLOSURES ARE REQUIRED FOR FIRE LINE SERVICES. NO INSULATION SHALL BE WRAPPED AROUND BPA.
6. ALL LOCATIONS FOR BPA's REQUIRE THE TOWNS APPROVAL.
7. THERE SHALL BE NO TAPS, PIPING BRANCHES, UNAPPROVED BYPASS PIPING, HYDRANTS, FIRE DEPT. CONNECTION POINTS, OR OTHER WATER - USING APPURTENANCES CONNECTED TO THE SUPPLY LINE BETWEEN ANY WATER METER AND THE REQUIRED BACKFLOW.
8. **EACH REQUIRED BACKFLOW IS TO BE TESTED BY A CERTIFIED TESTER PRIOR TO PLACING THE WATER SYSTEM IN SERVICE. TEST RESULTS SHALL BE SUBMITTED TO THE CROSS-CONNECTION DEPARTMENT WITHIN 30 DAYS AND TESTED ANNUALLY THEREAFTER SUBMITTING RESULTS TO THE CROSS-CONNECTION DEPARTMENT.**
9. ALL INSTALLATIONS OF A BPA, REQUIRES PRIOR APPROVAL FROM THE TOWN OF FRANKLIN CROSS-CONNECTION ORC.

NO SCALE

FIRE LINE REDUCED PRESSURE DETECTOR ASSEMBLY - ABOVE GROUND

TOWN OF FRANKLIN
STANDARD DETAILS
BACKFLOW PREVENTION



1-3-2022